



Bryt Sails **ST JIB – measurement form page 1**

1 – Measurer

Measured by.....

Place, date

2 – Customer and boat

Customer contact ph./e-mail.....

Boat type: builderyacht's berth.....

model Year

Boat's name Sail number

Measurement certificate (attach): IMS IRC ORC ORC Club other.....

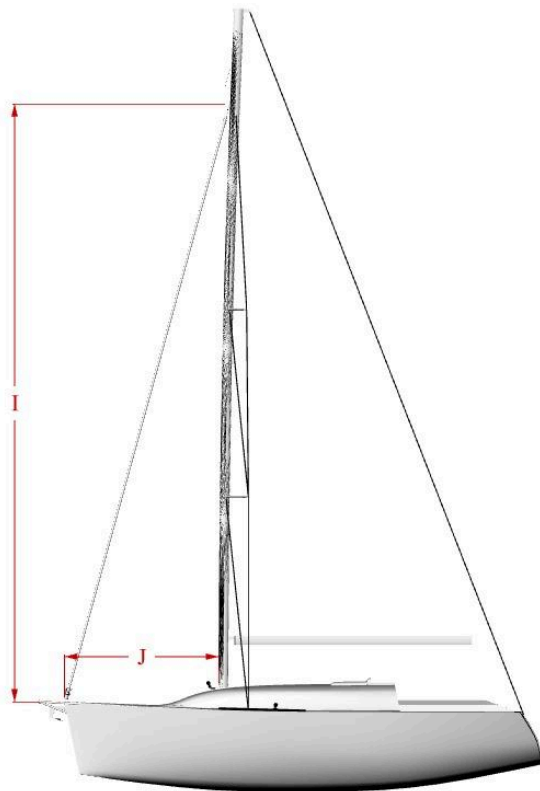
3 – Rig Details

Rig type: Slup Ketch Catboat other

Masthead 3/4 7/8 9/10 other

Number of Spreaders: 1 2 3 other..... Swept-back spreaders:: YES NO

4 - Principal dimensions



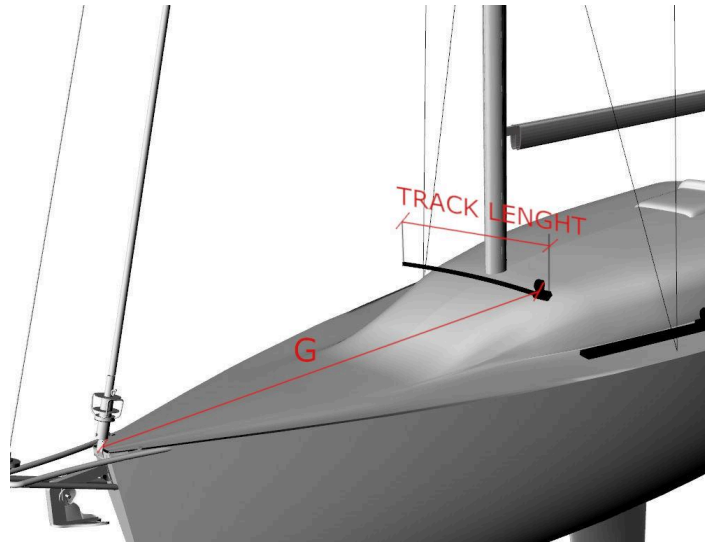
from forestay base to mast

J =

from deck (NOT DECKHOUSE) to forestay top attachment

I =

5- ST Jib track length , and distance from forestay attachment to the track



Track Length=.....

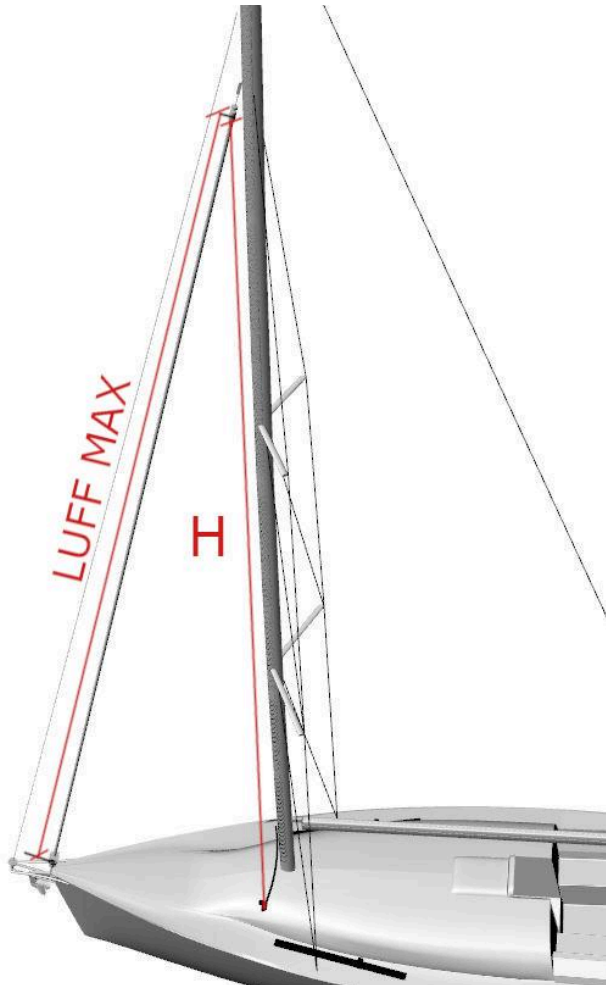
G =.....

distance from forestay attachment to the one end tip of track

Width of traveler of the block=.....

Haight of the block including the traveler =.....

6- Maximum luff



LUFF MAX=.....

hoist the genoa halyard (or the furler head swivel in case of case of a furling headstay) FULLY, and measure to the jib tack fitting on deck (or on the durling drum, if present)

H=.....

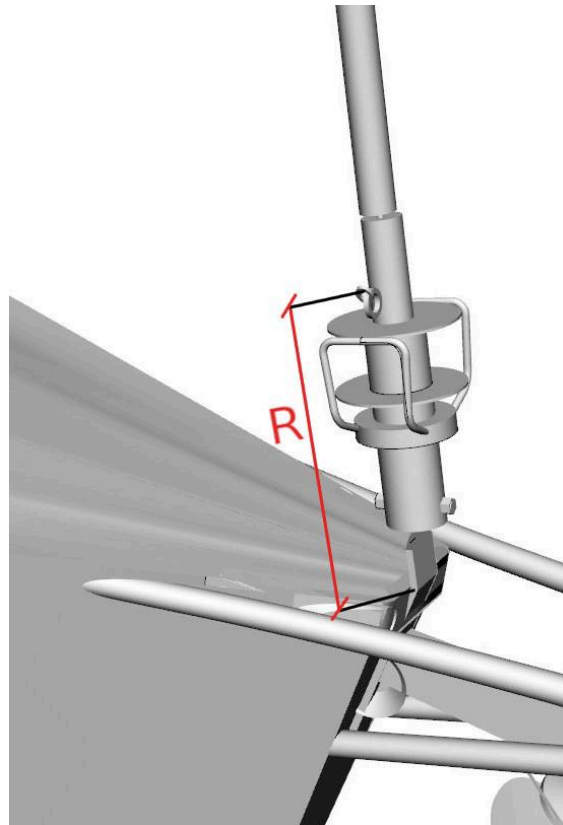
hoist the genoa halyard (or the furler head swivel in case of case of a furling headstay) FULLY, and measure to the upper part of the block placed on one end tip of the track



7 – Furling System

Make and model.....

Furling Drum is: Above deck Under Deck



distance from tack fitting above the drum to deck **R =**

Furling rotation, as seen from above is: clockwise anticlockwise

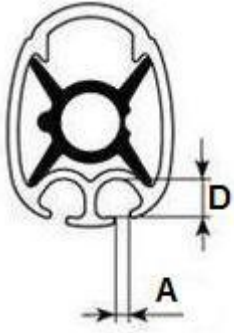
8 – Tack fitting

forestay diameter (for hanks) = stainless steel Textile

Make and model (NON FURLING!) headfoil



9- Luff Tape



groove opening **A =**

internal diameter **D=.....**

luff tape diameter on existing heasails **∅ =.....**

Notes: