



Headsail – measurement form /page 1

1 – Measurer

Measured by

Place, date

2 – Customer and boat

Customer contact ph./e-mail

Boat type: builder yacht's berth.....

Model year

Boat name sail number

Measurement certificate (attach): ORC ORC Club other

3 – Rig details

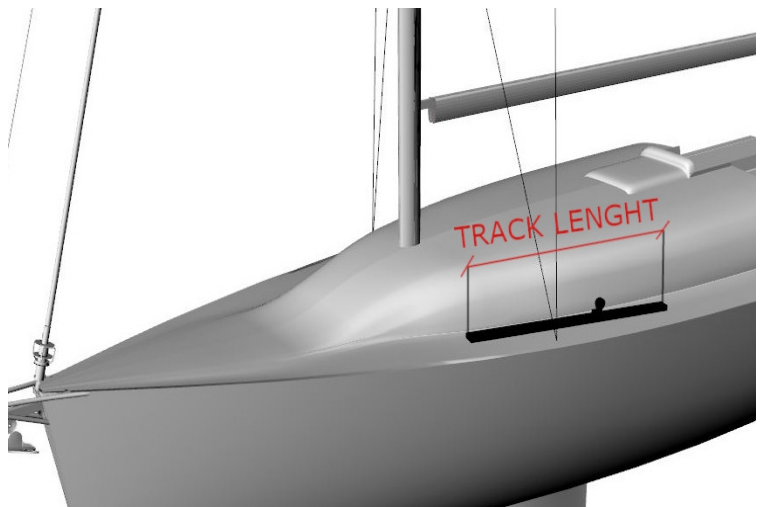
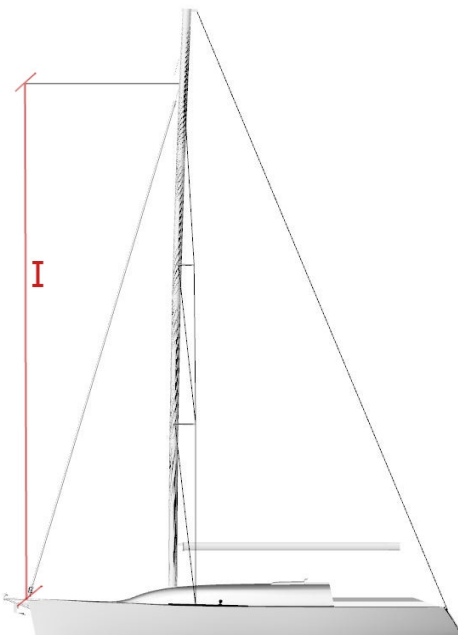
Rig type: Sloop Ketch Catboat other.....

Masthead: Fractional Top other.....

Nbr. spreaders Swept-back spreaders: YES NO

Runners: YES NO Other details

4 – Principal dimensions



from deck (NOT DECKHOUSE) to forestay top attachment

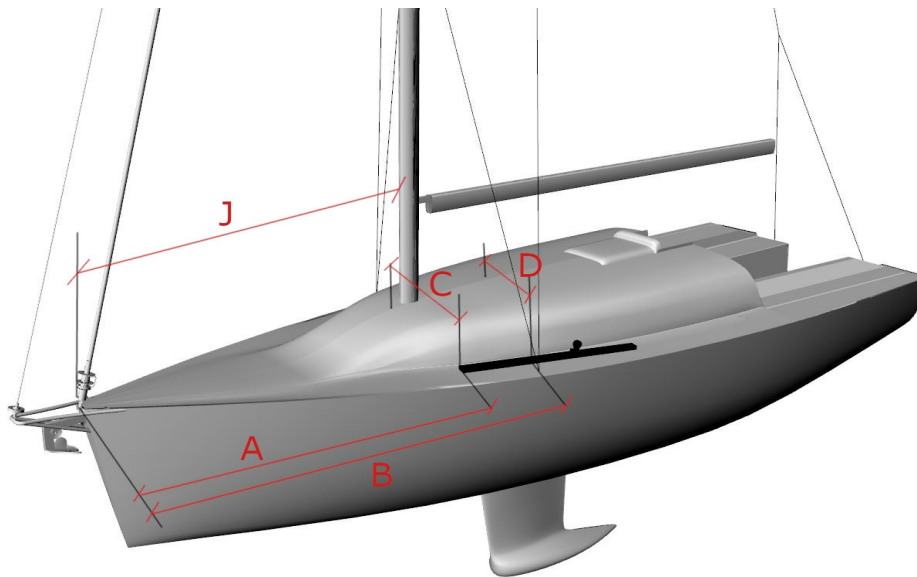
I =

track lenght

TL=



Headsail – measurement form /page 2



from forestay base to mast

J =

from forestay base to fwd end of genoa track

A =

from forestay base to point on track at the intersection of lines with shroud chainplate

B =

fwd end of genoa track to boat centerline

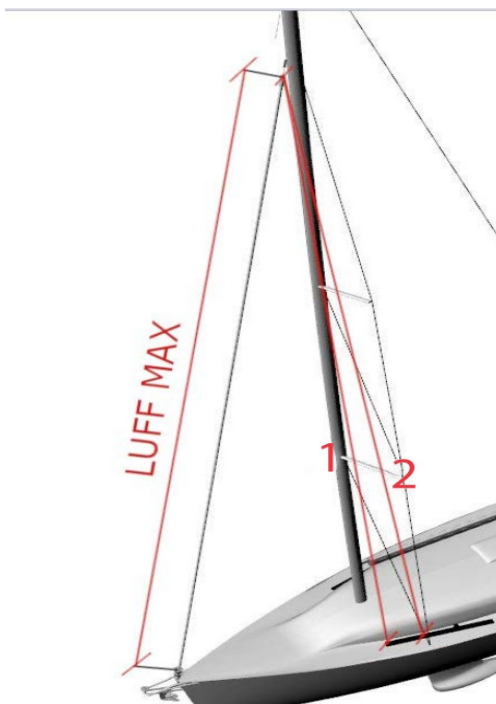
C =

point on track at the intersection of lines with shroud chainplate to boat centerline

D =

5 – Maximum luff and leech lengths

hoist the genoa halyard (or the furler head swivel in case of case of a furling headstay) FULLY, and measure to:



the genoa tack fittin on deck (or on the durling drum, if present)

LUFF MAX =

the genoa sheet car fully forward

1 =

to point on track at the intersection of lines with shroud chainplate

2 =



Headsail – measurement form /page 3

6 – Tack fitting

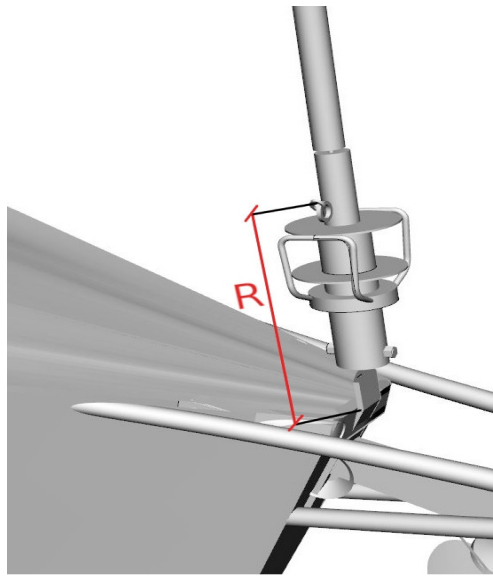
the racing (NON FURLING!) headsail tack fitting on deck is:

hooks athwartship padeye longitudinal padeye snahook other

7 – Furling system

Make and model

furling drum is: above deck below deck



distance from tack fitting above the drum to deck

R=.....

Furling rotation, as seen from above is:

clockwise anticlockwise any

8- Racing headfoil of hanks

forestay diameter (for hanks) =

stainless steel

composite

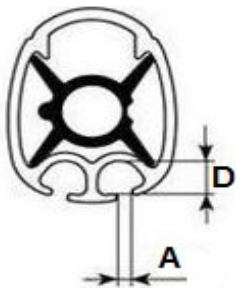
inner forestay diameter =

stainless steel

composite

Make and model (NON FURLING!) headfoil

9- Luff Tape (racing or furling)



groove opening

A =

internal diameter

D=.....

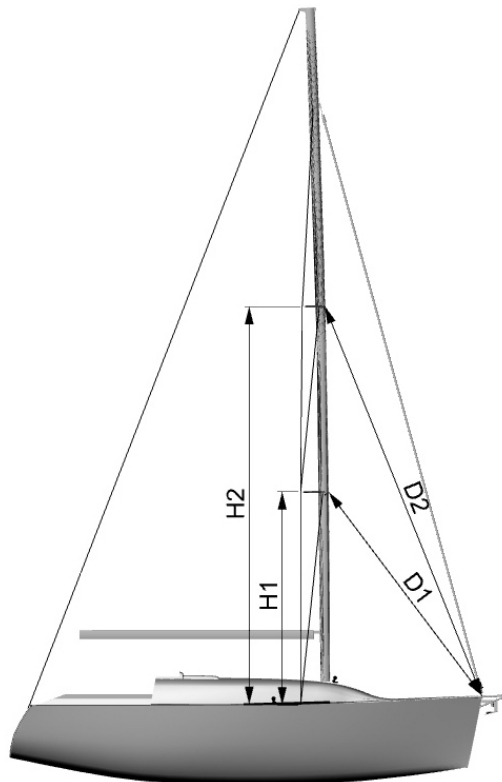
luff tape diameter on existing heasails

∅ =



Headsail – measurement form /page 4

10 – Spreader patches



Measure from each spreader's tipto the deck (NOT THE DECKHOUSE!) and then to the forestay base on deck

	Height above deck	Distance from forestay base
Lower spreader	H1 =	D1 =
Upper spreader	H2 =	D2 =

Notes: